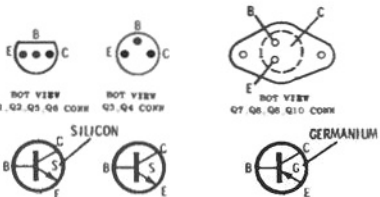
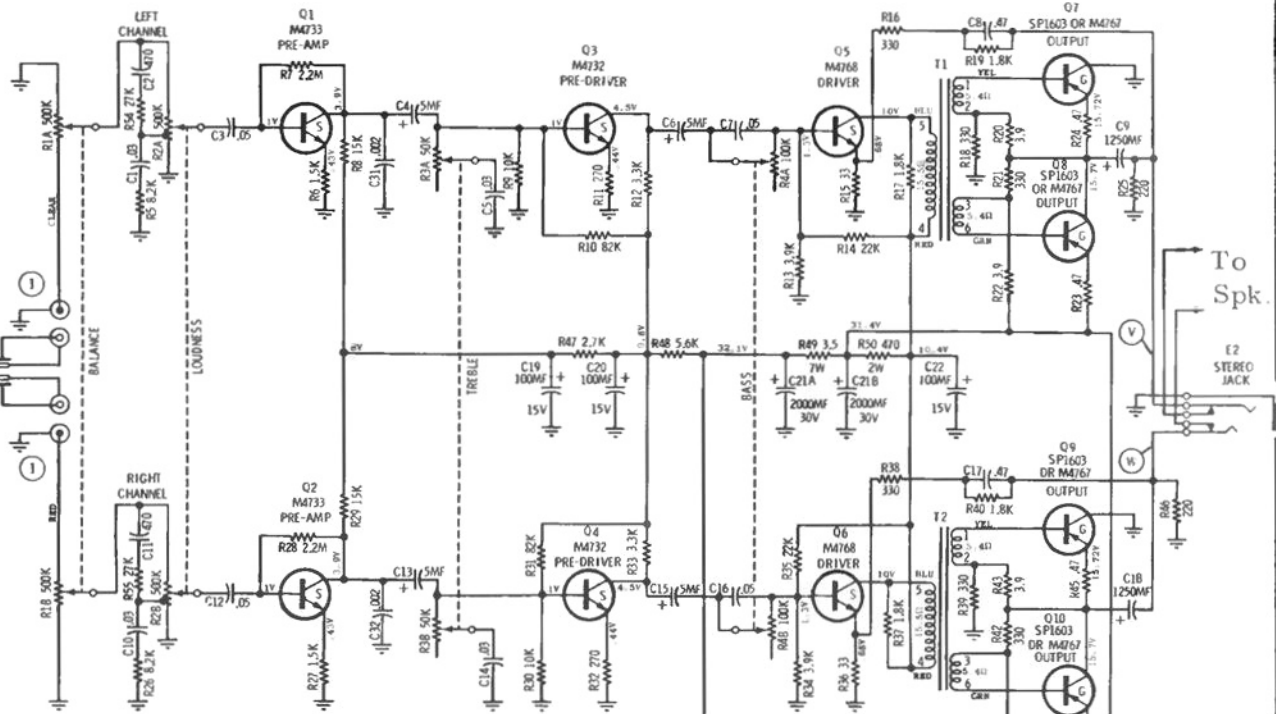


# MOTOROLA CHASSIS HS-62250; MODEL PK15C



NOTE: DC VOLTAGES - MEASURED FROM POINT INDICATED TO B - WITH A VTVM  $\pm$  10% WITH NO INPUT.  
CAPACITORS - IN MF UNLESS OTHERWISE SPECIFIED.

① PLUGS INTO FM/AM TUNER ON TUNER MODELS

